



Bolt clamps

U-bolt clamps HRRBS

Flat steel bolt clamps HRFBS

General

U-bolt clamps similar to DIN 3570 are particularly suitable for fastening pipes with thermal expansion and large tanks.

The pipes can either be fastened firmly or with some clearance for sliding.

HY-ROS U-bolt clamps are made up of a round steel U-bolt with nuts and pipe support. The parts are also available as individual units.

Pipe supports are available in short or long versions.

U-bolt clamps are available in 23 sizes for pipe diameters from 17.1 to 762 mm.

DIN 3567 flat steel bolt clamps are used as mounting elements for pipe systems outside hydraulic applications.

They are available in 32 sizes from 20 to 500 mm.

NOTE

The information in this brochure relates to the operating conditions and applications described. For applications and operating conditions not described, please contact the relevant technical department.

The operator is always responsible for determining the product suitability for the specific application. Quantified values for product characteristics are average values for a new product that undergo a time deterioration process.

Subject to technical modifications and errors.

HYDAC Accessories GmbH

Hirschbachstr. 2

66280 Sulzbach/Saar

Tel.: +49 (0)6897 - 509-01

Fax: +49 (0)6897 - 509-1009

Internet: www.hydac.com

E-mail: accessories@hydac.com



U-bolt clamps sim. to DIN 3570 HRRBS

Size	Pipe outside Ø D [mm]
1	17.1
	21.3
2	25
	26.9
3	30
	33.7
4	38
	42.4
5	44.5
	48.3
6	57
	60.3
7	76.1
	88.9
9	108
	114.3
10	133
	139.7
11	159
	168.3
12	(191)
	193.7
13	216
	219.1
14	267
	273
15	318
	323.9
16	355.6
	368
17	406.4
	419
18	508
	521
19	558
	609
21	660
	711
22	711
	762

Note: sizes given in parentheses should be avoided where possible.

Model code (also order example)

HRRBS 10 L 139,7 PP ST ZN

Range

HRRBS = HY-ROS U-bolt clamp

Size

1 = size 1
2 = size 2
up to size 23

Model for complete clamps

A = clamp with four hex nuts
K = clamp with four hex nuts and pipe support, short
L = clamp with four hex nuts and pipe support, long

Pipe diameter D*

Material of pipe support*

PP = polypropylene
PA = polyamide
PAFF = polyamide flame-retardant to EN 45545-2 R22, R23, HL3

Material of steel parts

ST = steel
A2 = stainless steel (on request)
A4 = stainless steel (on request)
Others on request

Plating of steel parts

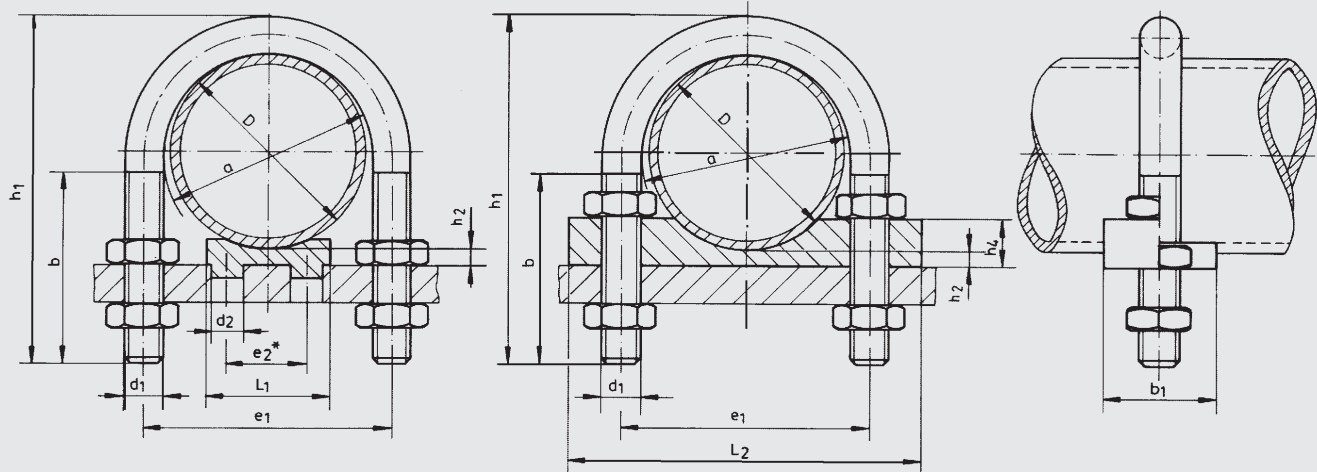
ZN = zinc-plated
Others on request

* Not applicable for version A

Dimensions [mm]

Short version

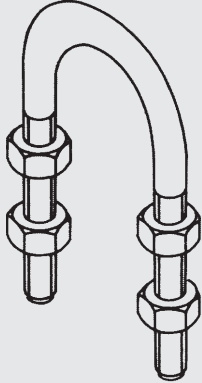
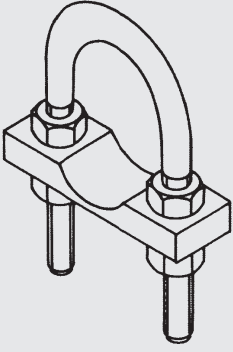
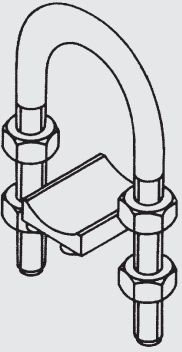
Long version



For pipe support size 1–4, e_2 is drawn with a 90° offset

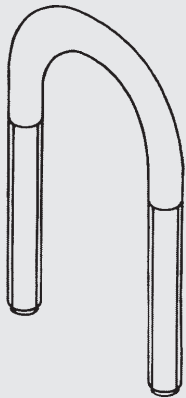
Size	U-bolt BUE					Pipe support short version RUK					Pipe support long version RUL			
	a [mm]	b [mm]	d ₁	e ₁ [mm]	h ₁ [mm]	d ₂ [mm]	e ₂ [mm]	h ₂ [mm]	L ₁ [mm]	b ₁ [mm]	h ₂ [mm]	h ₄ [mm]	L ₂ [mm]	b ₁ [mm]
1	23	30	M10	33	60	8	25	5	24	35	5	10	60	25
2	30	40	M10	40	70	8	25	5	24	35	5	12	75	30
3	38	40	M10	48	75	8	25	5	24	35	5	12	80	30
4	46	50	M10	56	86	8	25	5	24	35	5	12	90	30
5	52	50	M10	62	92	10	25	5	38	50	5	15	95	35
6	64	60	M12	76	109	10	25	5	38	50	5	15	110	35
7	82	60	M12	94	125	10	25	5	38	50	5	15	135	35
8	94	60	M12	106	138	10	25	5	38	50	10	20	145	40
9	120	80	M16	136	171	20	81	9	110	80	10	20	190	40
10	148	80	M16	164	191	20	81	9	110	80	10	20	220	40
11	176	80	M16	192	217	20	81	9	110	80	12	25	250	50
12	202	80	M16	218	249	20	81	9	110	80	12	25	270	50
13	228	100	M20	248	283	25	130	9	175	110	12	25	315	50
14	282	100	M20	302	334	25	130	9	175	110	12	25	370	50
15	332	100	M20	352	385	25	130	9	175	110	15	30	420	60
16	378	100	M24	402	435	30	210	9	250	130	15	30	480	60
17	428	100	M24	452	487	30	210	9	250	130	15	30	540	60
18	530	100	M24	554	589	30	210	9	250	130	15	30	640	60
19	570	150	M30	600	650	30	210	9	250	130	20	40	700	70
20	622	150	M30	652	700	30	210	9	250	130	20	40	750	70
21	680	150	M30	710	760	30	210	9	250	130	20	40	810	70
22	730	150	M30	760	810	30	210	9	250	130	20	40	870	70
23	785	150	M30	815	870	30	210	9	250	130	20	40	910	70

Models

Model A Clamp with four hex. nuts	Model L Clamp with four hex. nuts and short pipe support	Model K Clamp with four hex. nuts and long pipe support
		

Individual parts

U-bolt (BUE)
Size 1-23



Model code
(also order example)

HRRBS 10 BUE ST ZN

Range
HRRBS = HY-ROS U-bolt clamp

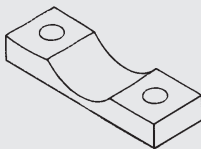
Size
1 = size 1
2 = size 2
up to size 23

Designation
BUE = U-bolt

Material of steel parts
ST = steel
A2 = stainless steel (on request)
A4 = stainless steel (on request)
Others on request

Plating of steel parts
ZN = zinc-plated
Others on request

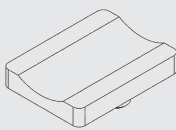
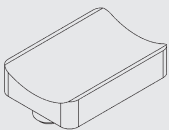
Pipe support long (RUL)
Size 1-23



Pipe support, short (RUK)

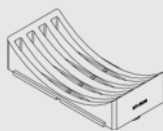
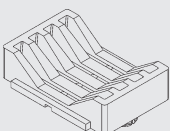
Size 1 - 4

Size 5 - 8



Size 9 - 12

Size 13 - 23



Model code
(also order example)

HRRBS 10 RUL 139,7 PP

Range
HRRBS = HY-ROS U-bolt clamp

Size
1 = size 1
2 = size 2
up to size 23

Designation
RUL = pipe support, long
RUK = pipe support, short

Pipe diameter D
(in acc. with dimensions)

Materials of pipe support
PP = polypropylene
PA = polyamide (on request)
PAFF = polyamide flame-retardant to EN 45545-2 R22, R23, HL3 (on request)
Others on request

NOTE

The information in this brochure relates to the operating conditions and applications described. For applications and operating conditions not described, please contact the relevant technical department.

The operator is always responsible for determining the product suitability for the specific application. Quantified values for product characteristics are average values for a new product that undergo a time deterioration process.

Subject to technical modifications and errors.

HYDAC Accessories GmbH

Hirschbachstr. 2

66280 Sulzbach/Saar

Tel.: +49 (0)6897 - 509-01

Fax: +49 (0)6897 - 509-1009

Internet: www.hydac.com

E-mail: accessories@hydac.com

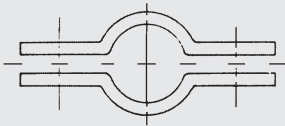


Flat steel bolt clamps in acc. with DIN 3567 HRFBS

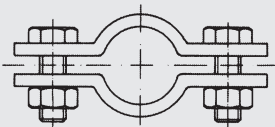
Clamp form

Form A

Size 1 - 32
Nom. width 20 - 500



Model A1
(without bolts and nuts)



Model A
(with bolts and nuts)

Model code

(also order example)

HRFBS 12 A1 89 ST ZN Form A

Range

HRFBS = HY-ROS flat steel bolt clamp

Size

1 = size 1
2 = size 2
up to size 32

Model for complete clamps

A1 = flat steel clamp pair
A = flat steel clamp pair with hex. head bolts and nuts

Pipe diameter d_1

(in acc. with dimensions)

Material of steel parts

ST = steel
A2 = stainless steel (on request)
A4 = stainless steel (on request)

Plating of steel parts

BL = unplated
ZN = zinc-plated

Clamp form

Form A

NOTE

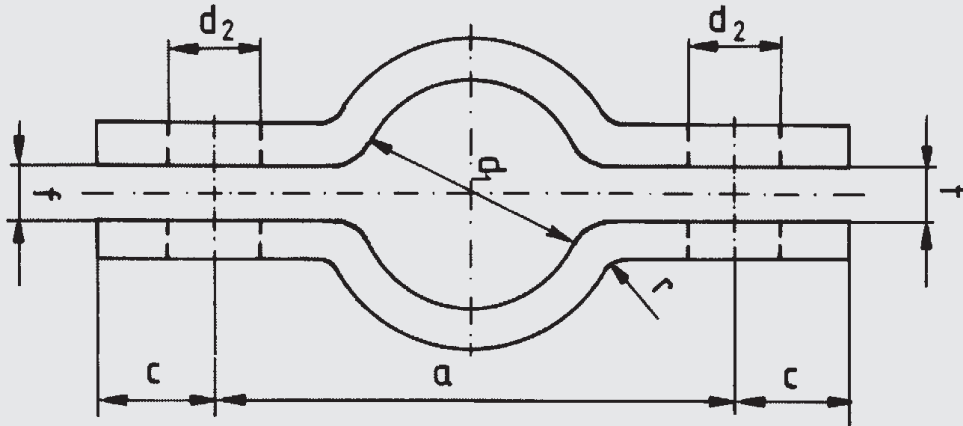
The information in this brochure relates to the operating conditions and applications described. For applications and operating conditions not described, please contact the relevant technical department.

The operator is always responsible for determining the product suitability for the specific application. Quantified values for product characteristics are average values for a new product that undergo a time deterioration process.

Subject to technical modifications and errors.

Dimensions

Form A



d ₁ [mm]	Size	To be used for nom. width		Dimensions [mm]					Flat steel to DIN 1017 [mm]	Hex. head bolt to ISO 4017	Weight [kg/100 pcs.]						
				a	c	d ₂	f	r									
25	1	20		62	15	11.5	7	4	30 x 5	M10 x 30MU	21.37						
27	2		3/4"	66							22.57						
30	3	25		68							23.37						
34	4		1"	72							24.79						
38	5	32		76							26.12						
43	6		1 1/4"	82							27.87						
45	7	40		84							28.81						
49	8		1 1/2"	88							30.37						
57	9	50		104							18	14	9	6	40 x 6	M12 x 35MU	56.10
61	10		2"	108	58.20												
77	11	65	2 1/2"	122	66.30												
89	12	80	3"	136	75.30												
108	13	100		172	24	18	11	6	50 x 8	M16 x 45MU							159.10
115	14		4"	178							163.40						
133	15	125		196							178.50						
140	16			204							183.10						
159	17	150		222							200.00						
169	18			232							208.10						
(191)	19	(175)		254							239.40						
194	20			258							242.00						
216	21	200		280							260.00						
220	22			284							264.40						
267	23	250		342							30	23	14	8	60 x 8	M20 x 50MU	385.00
273	24			348													390.60
318	25	300		392	440.00												
324	26			398	448.80												
356	27	350		432	508.70												
368	28			444	530.00												
407	29	400		498	36	27	18	8	70 x 10	M24 x 60MU							852.20
419	30			510													875.00
508	31	500		600													1020.00
521	32			614													1050.00

Note: sizes given in parentheses should be avoided where possible.