

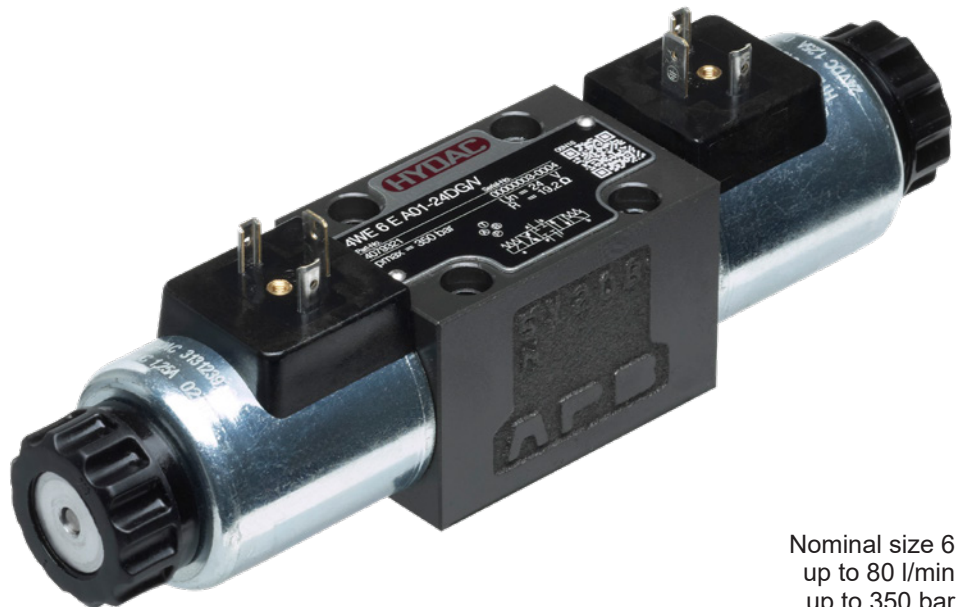
## 4/2- and 4/3-directional spool valve solenoid-operated, direct-acting 4WE 6

### DESCRIPTION

HYDAC 4/2- and 4/3- directional spool valves of the 4WE 6 series are directional valves for oil hydraulic systems which are used to open and close flow paths. The valve operates by oil-immersed solenoid. During this process, the solenoid pushes the valve's control spool into the respective position to obtain the desired flow path.

### FEATURES

- Direct-acting, solenoid-operated directional valve
- Interface according to DIN 24340 Form A6, ISO 4401-03
- Removable high-performance solenoid coil, no need to open the hydraulic system during replacement
- Coil rotatable by 360° allows flexible installation
- Electrical connection in several versions available
- With concealed manual override, additional versions available
- With increased corrosion protection due to zinc-nickel surface coating as an option (A40)



Nominal size 6  
up to 80 l/min  
up to 350 bar

### CONTENTS

Description	1
Features	1
Model code	2
Spool types / symbols	3
Function	4
Section view	4
Technical data	4
Performance	5
Dimensions	6
Electrical connections	7
Manual overrides	7
Accessories	8

## MODEL CODE

4WE 6 D -OF A01-24 D G /V

### Type

Solenoid-operated directional valve with 4 main ports, direct-acting

### Nominal size

6

### Spool symbol

See page 3

### Version

Not specified = with return spring

-OF = without return spring, with detent (with D symbol only)<sup>1)</sup>

### Series

A01 = specified by the manufacturer

A40 = with zinc nickel coating

### Rated voltage of the solenoid coil <sup>1)</sup>

12 = 12 VDC

24 = 24 VDC

96 = 96 VDC\*

205 = 205 VDC\*

110 = 110 VAC\*

230 = 230 VAC\*

\* only in combination with the electrical connection G

### Type of voltage

D = DC voltage

A = AC voltage (only in combination with electrical connection G)

### Electrical connection (for details, see page 7)

G = device connector, DIN EN 175301-803 A

L = single leads

L02 = single leads with suppressor diode

N = device connector, Deutsch

N01 = device connector, Deutsch with suppressor diode

O = device connector, M12

U = device connector, Junior Timer

U01 = device connector, Junior Timer with suppressor diode

### Sealing material <sup>1)</sup>

/N = NBR

/V = FKM (standard)

### Manual override (for details, see page 7)

Not specified = with concealed manual override (standard)

/M1 = with manual override

/M2 = with covered manual override

/M4 = with knurled nut

/M5 = with mushroom head (lockable)

/M6 = with mushroom head (not lockable)

### Orifice insert <sup>1)</sup>

Not specified = no orifice insert

/YXX = Y = connection P, A, B, T

XX = diameter (e.g. 12 = 1.2 mm); preferred series: 0.8 mm; 1.0 mm; 1.2 mm

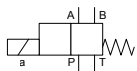
<sup>1)</sup> Other models on request

# SPOOL TYPES / SYMBOLS

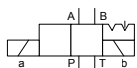
## 4/2-DIRECTIONAL SPOOL VALVES

Type	Basic symbol	With intermediate position
AE		
BE		
C		
D		
DT		
DB		
EA		
EB		
GA		
GB		
HA		
HB		
JA		
JB		
KA		
QA		
UA		
Y		
YT		

With return spring



With detent (...-OF)



## 4/3-DIRECTIONAL SPOOL VALVES

Type	Basic symbol	With intermediate position
E		
F		
G		
H		
J		
JR		
K		
L		
M		
P		
Q		
R		
U		

## FUNCTION

The solenoid-operated directional spool valves of the 4WE 6 type are used to direct nominal flow and consist of one valve housing (1) with an associated valve spool (2). Depending on the type, the valve is equipped with at least two return springs (3) and with one or two pole tubes (4) and solenoid coils (5) each.

The hydraulic control of the valve is carried out through the actuation of the valve spool by the use of solenoids (5). A solenoid is a converter which converts electrical energy into mechanical energy. The energised solenoid causes the oil-immersed magnetic piston to make a linear stroke movement. It uses the guide rod (6) to move the valve spool into the desired position. This causes the nominal flow directions between the respective ports to be released or closed. To obtain the valves' optimum switching capacity, the pressure-tight chamber of the pole tube should always be filled with oil.

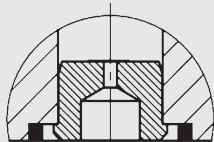
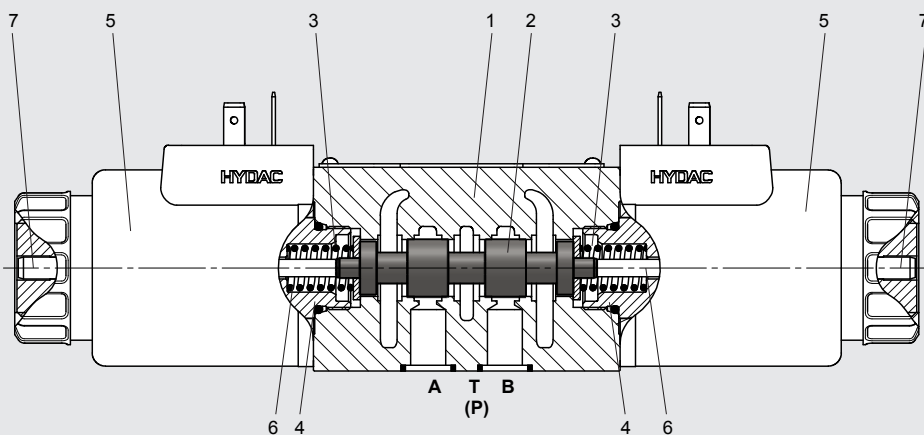
The valve spool is pushed back into the starting position by the appropriate return spring after de-energization of solenoid.

The manual override (7) enables valve operation without energising the solenoid.

### Without return spring with detent "OF"

This alternative describes the so-called impulse valve. This is a 4/2-directional valve with 2 solenoids and detent. The detents are used to lock the valve spool in the respective switching position. There is no need to permanently energise the solenoid, which consequently contributes to energy-saving operation.

## SECTION VIEW



### Orifice insert

Used to reduce nominal flows that are too high and outside of the valve's operating limits.

## TECHNICAL DATA <sup>1)</sup>

General specifications		
MTTF <sub>d</sub> :		According to EN ISO 13849-1:2015 Tables C1 & C2
Ambient temperature range:	[°C]	-20 to +60
Installation position:		No orientation restrictions
Weight:	[kg]	1.5 with one solenoid; 2.0 with two solenoids
Material:	Valve casing:	Cast iron
	Pole tube:	Steel
	Coil casing:	Steel
	Name plate:	Aluminium
Surface coating:	Valve casing:	Phosphate plated
	Pole tube:	Zn-coating
	Coil casing:	ZnNi-coating
Hydraulic specifications		
Operating pressure:	[bar]	Connection A, B, P: $p_{max} = 350$ Connection T: $p_{max} = 210$
Nominal flow:	[l/min]	See performance limits on page 5
Operating fluid:		Hydraulic oil to DIN 51524 Part 1, 2 and 3
Media operating temperature range:	[°C]	-20 to +80 (for standard sealing)
Viscosity range:	[mm <sup>2</sup> /s]	10 to 500
Permitted contamination level of operating fluid:		Class 20/18/15 according to ISO 4406
Max. switching frequency:	[1/h]	15,000
Manual override:		Possible up to approx. 50 bar tank pressure
Sealing material:		FKM (standard), NBR
Electrical specifications		
Switching time:	[ms]	Energised: approx. 20 – 70 De-energised: approx. 10 – 60
Type of voltage:		DC AC
Rated voltage:	[V]	12, 24, 96, 205 110, 230
Voltage tolerance:	[%]	±10
Nominal power:	[W]	30
Duty cycle:	[%]	100
Max. surface temperature of the coil:	[°C]	150
Protection class according to DIN EN 60529:	With electrical connection "G"	IP65 *
	With electrical connection "L"	IP65 *
	With electrical connection "N"	IP65 / IP67 *
	With electrical connection "O"	IP65*
	With electrical connection "U"	IP65 *

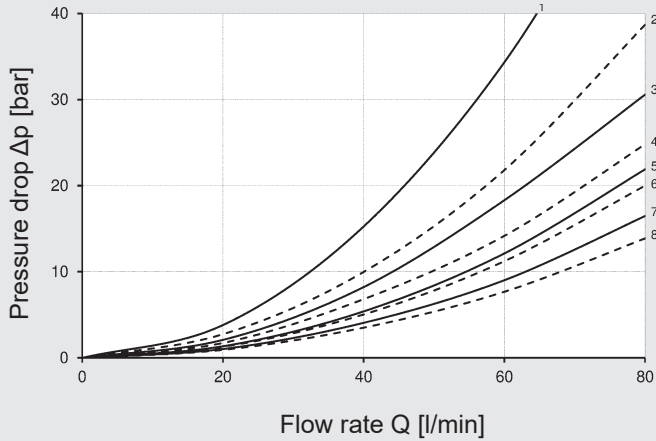
<sup>1)</sup> see "Conditions and instructions for Valves" in brochure 53.000

<sup>2)</sup> if installed correctly

## PERFORMANCE

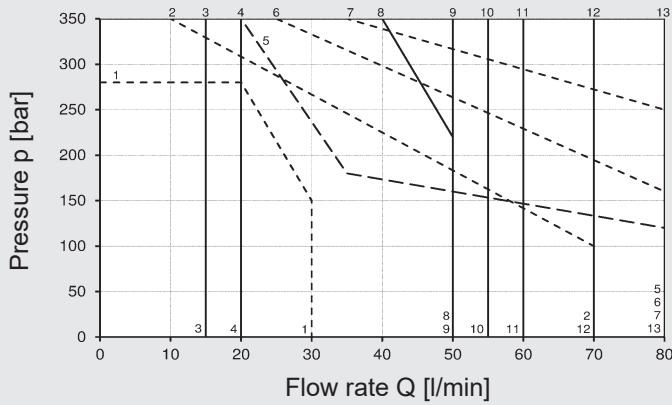
### Pressure drop

measured at  $v = 35 \text{ mm}^2/\text{s}$ ,  $T = 45 \text{ }^\circ\text{C}$



### Performance limits

measured at  $v = 30 \text{ mm}^2/\text{s}$ ,  $T = 50 \text{ }^\circ\text{C}$



## Performance assignment to the associated spools:

Spool	Pressure drop					Performance limits
	P→A	B→T	P→B	A→T	P→T	
AE	–	–	7	7	–	2
BE	7	7	–	–	–	2
C	8	8	8	8	–	10
D	8	7	8	7	–	12
DB	3	6	3	6	–	4
D-OF	8	7	8	7	–	13
DT	8	–	7	–	–	5
E, EA, EB	7	7	7	7	–	13
F	6	6	6	6	–	1
G, GA, GB	1	1	1	1	4	9
H, HA, HB	8	8	8	8	4	13
J, JA, JB	7	7	7	7	–	7
JR	–	–	2	8	–	6
K, KA	8	7	7	7	–	13
L	7	7	7	8	–	13
M	8	5	8	5	–	13
P	6	6	6	6	–	4
Q, QA	7	7	7	7	–	11
R	–	–	3	6	–	8
U, UA	7	8	7	7	–	13
Y	7	8	7	8	–	12
YT	7	–	8	–	–	3

The performance limits were determined with solenoids at operating temperature and 10 % low voltage.

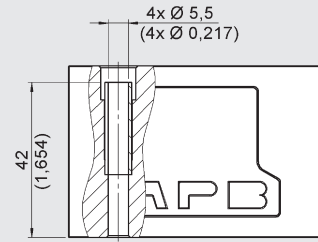
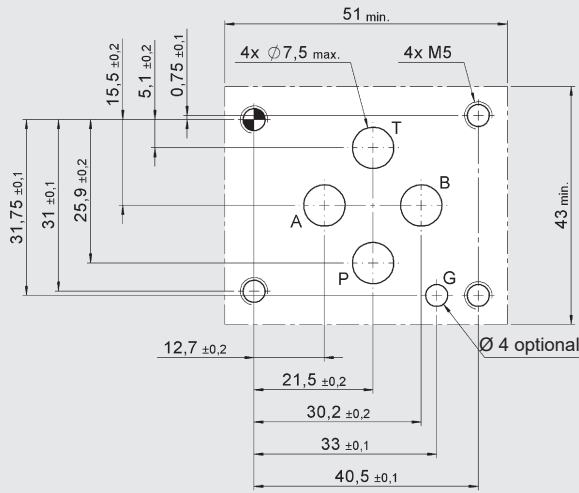
The specified performance limits are applicable for operation with two directions of flow. The performance capacities may be lower when there is only one flow direction.

Restricted switching capacity for G96/G205 coils:

The max. permitted nominal flow specified in the diagram must be reduced by 10%. The switching times are extended.

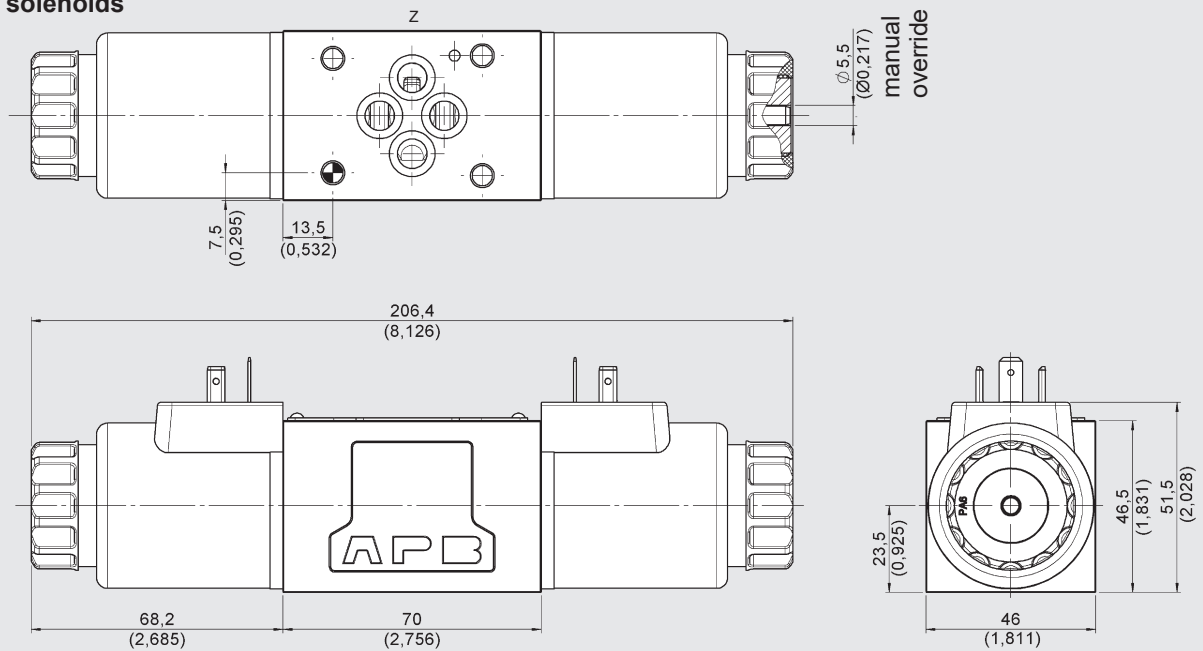
# DIMENSIONS

Interface according to ISO 4401-03-02-0-05

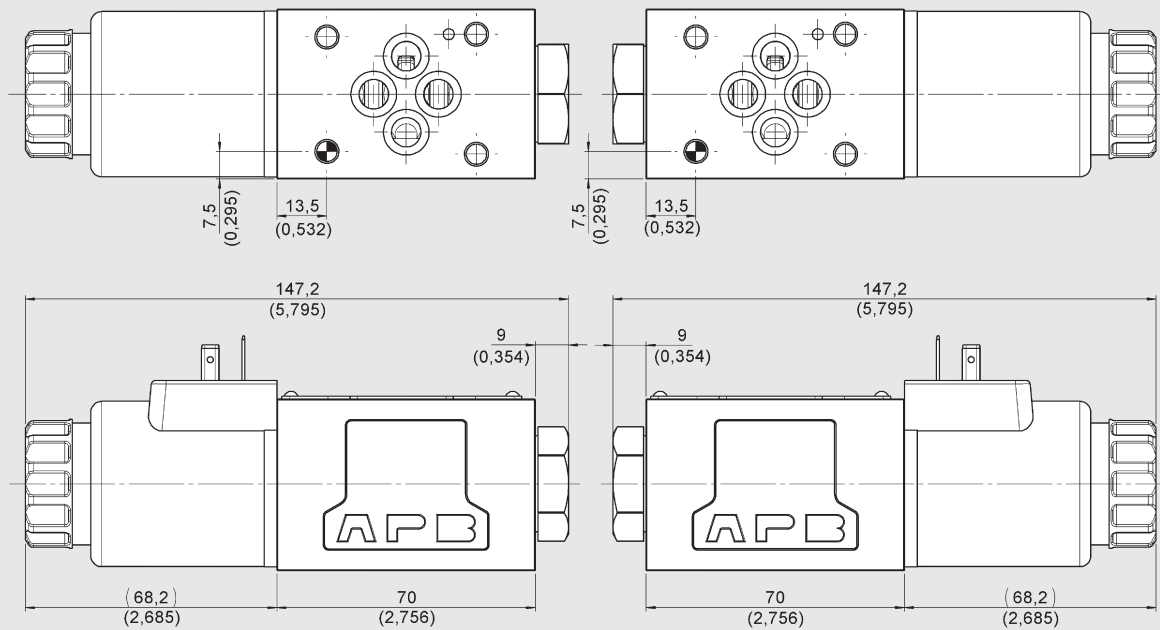


**Mounting screws:**  
 (not included in delivery)  
 DIN EN ISO 4762 – M5 x 50 – 10.9  
 Tightening torque: 7 Nm

## With two solenoids



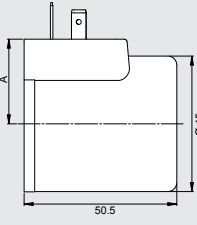
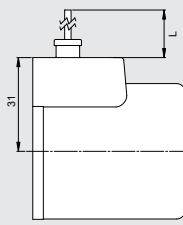
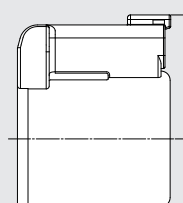
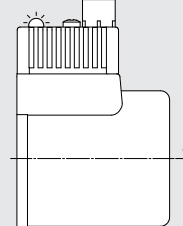
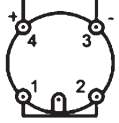
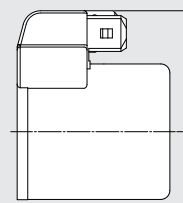
## With one solenoid



Valve with solenoid a

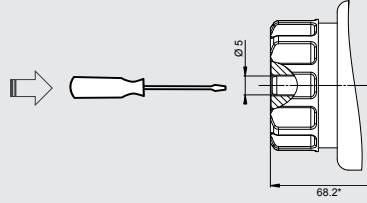
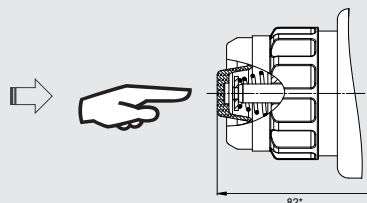
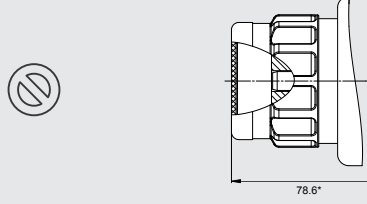
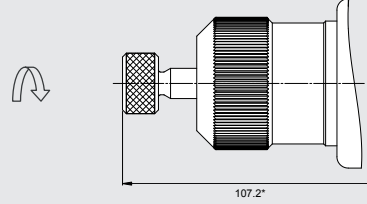
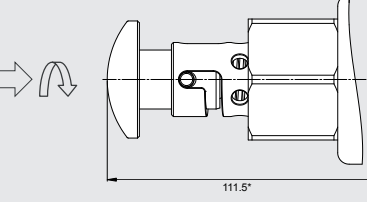
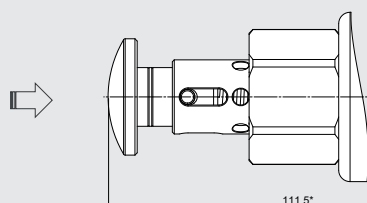
Valve with solenoid b

## ELECTRICAL CONNECTIONS

<b>G</b> Device connector DIN EN 175301-803 A		<ul style="list-style-type: none"> <li>● IP65</li> <li>● A = 28 mm for DC (DG)</li> <li>● A = 30.7 mm for AC (AG)</li> </ul>
<b>L</b> 2 strands		<ul style="list-style-type: none"> <li>● IP65</li> <li>● Standard strands length L = 457 mm</li> <li>● Optional with suppressor diode</li> </ul>
<b>N</b> Device connector, Deutsch (DT04-2P)		<ul style="list-style-type: none"> <li>● IP65 / IP67</li> <li>● Optional with suppressor diode</li> </ul>
<b>O</b> Device connector M12		<ul style="list-style-type: none"> <li>● IP65</li> <li>● With yellow LED as operation indicator</li> <li>● Pin assignment</li> </ul> 
<b>U</b> Device connector Junior Timer (axial)		<ul style="list-style-type: none"> <li>● IP65</li> <li>● Optional with suppressor diode</li> </ul>

Other models on request

## MANUAL OVERRIDES

<b>Standard</b> with concealed manual override		Operation with tool
<b>M1</b> with manual override		Operation without tool with spring return
<b>M2</b> with covered manual override		Manual override covered, operation only possible after disassembly of cap
<b>M4</b> with knurled- head screw		Operation by turning the knurled-head screw
<b>M5</b> with mushroom head (lockable)		Operation by pressing, locking by subsequently turning the mushroom button
<b>M6</b> with mushroom head (not lockable)		Operation by pressing the mushroom button

\* Dimensions up to valve housing

In case of emergency, the valve can also be operated manually. There are different forms of manual override available.

The tank pressure should not exceed 50 bar. If the tank pressure is higher, the force required to operate the manual override increases accordingly.

For valves with two solenoids, simultaneous operation of both manual overrides is not permitted.

## ACCESSORIES

	Designation	Part no.
Seal kits (4-part set)	9.25 x 1.78 80 Sh NBR	3492432
	9.25 x 1.78 80 Sh FKM	3120269
Mounting screws (4 pcs)	DIN EN ISO 4762 - M5 x 50 - 10.9	4312231
Solenoid coils	COIL 12DG -50-2345 -S	4244169
	COIL 12DN -50-2345 -S	4244170
	COIL 12DO -50-2345 -S	4250874
	COIL 24DG -50-2345 -S	4244171
	COIL 24DN -50-2345 -S	4244172
	COIL 24DO -50-2345 -S	4250885
	COIL 96DG -50-2345 -S	4244173
	COIL 110AG -50-2345 -S	4244174
	COIL 205DG -50-2345 -S	4244275
	COIL 230AG -50-2345 -S	4244276
Seal kit for solenoid coil	Nut open, O-ring	4317299
	Nut with folding cap, O-ring	4317301
	Nut with cap, O-ring	4317302
Connector	Z4 standard 2-pole without PE	394287
	ZW4 incl. rectifier	394293
	Z4L incl. LED	394285
Manual overrides	M4 with knurled-head screw	4429328
	M5 with mushroom manual override (lockable)	4373722
	M6 with mushroom manual override (not lockable)	4373490

## NOTE

The information in this brochure relates to the operating conditions and applications described. For applications not described, please contact the relevant technical department. All technical details are subject to change without notice.